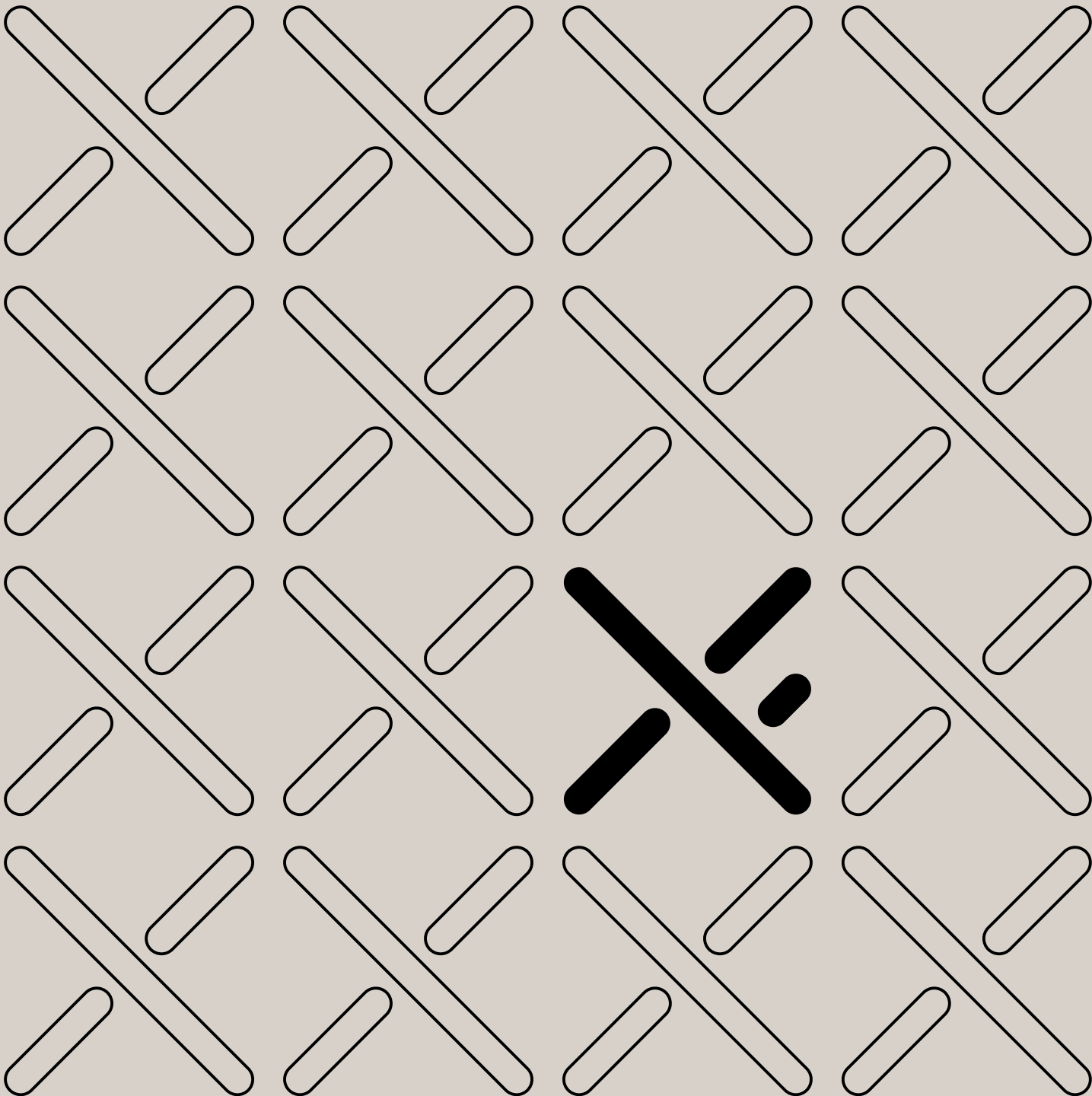
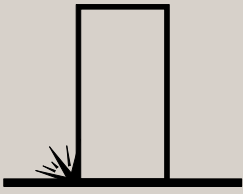


Assembly Instructions

Studio Wall 1.2m x 2.4m Panel





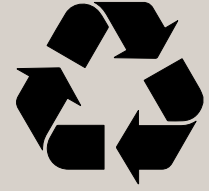
Protect Surfaces



Two Persons Assembly



Do Not Climb on XFrame



Recycle All Packaging

For the protection of the product, and to protect the objects and surfaces near your product, it is recommended that the product is placed on a protected surface during assembly (such as carpet or carpet tiles).

Ensure all parts are present before assembling. If parts are missing please contact XFrame™.

XFrame furniture items are large and require ample space for assembly. Please ensure that you have sufficient space before beginning. Where possible assemble the XFrame furniture items near the area in which they will be placed to avoid moving the item unnecessarily.

During assembly take care to not over tighten fixings or use excessive force as this may damage the product. Do not stand on XFrame products and do not use XFrame products as a step-ladder.

All XFrame Office products are designed for indoor use only.



Assemble With Care



Ear Protection Optional



Hand Protection Recommended



Lift Correctly With Care

Follow all instructions with care. Handle all components with care. Do not assemble the product without following these assembly instructions provided by this guide.

XFrame systems are made of untreated engineered timber materials or polyester sheet products. During assembly use gloves to protect hands from splinters. During use avoid abrasive materials dislodging wood fragments causing splinters and/or damaging clothing/the product. All engineered timber used in XFrame Office systems are to ISO 12460 standards.

XFrame systems are made of untreated engineered timber and recycled polyester materials that contain phenol formaldehyde resins. Only engineered sheet products with an emission class of 0 or better is used in XFrame products.

XFrame systems can be assembled with the aid of a rubber or wooden mallet. When using this aid take all necessary best-practice safety precautions. Do not use a hammer that is damaged. Wear eye protection. Do not use a metal faced hammer or black rubber faced mallet.

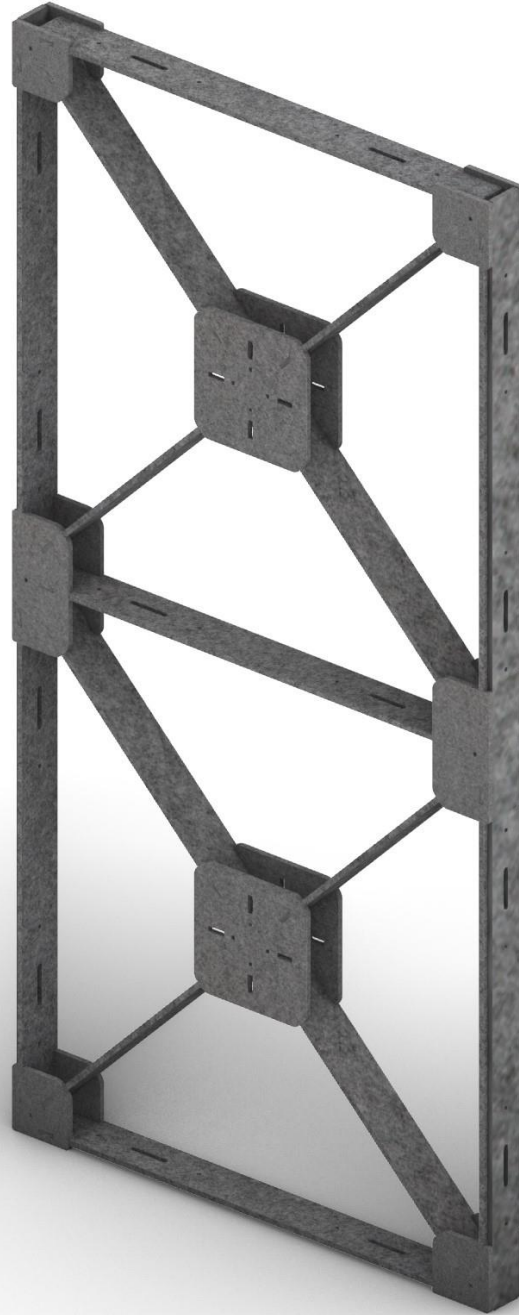
XFrame systems can be heavy once assembled and safe lifting requirements must be maintained at all times. Unlined XFrame panels measuring up to 8ft by 4ft (1.2m x 2.4m) may be lifted by an individual. Lined panels, joined panels and/or panels of a greater dimensions must be moved by at least two people.

When standing, joining and/or connecting XFrame™ panels ensure care is taken to ensure each panel is always supported. Do not leave single panels standing without perpendicular or intersecting panels fully connected. Ensure hands and fingers are clear of panel joints when connecting panels.



XFRAME

Product Summary
1.2m x 2.4m Studio Panel

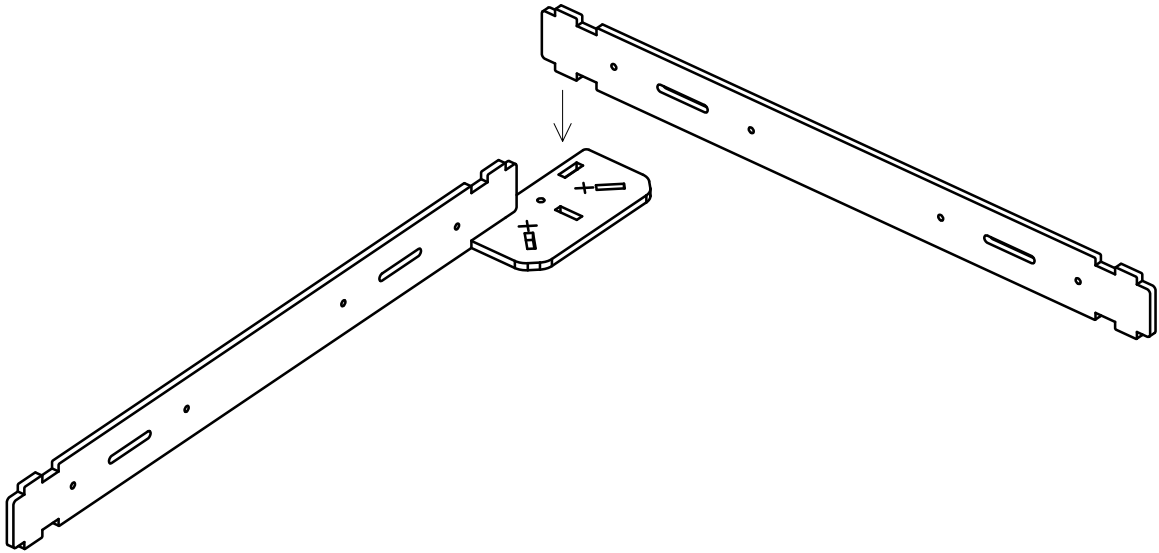


Only frame pictured. Colour may vary.

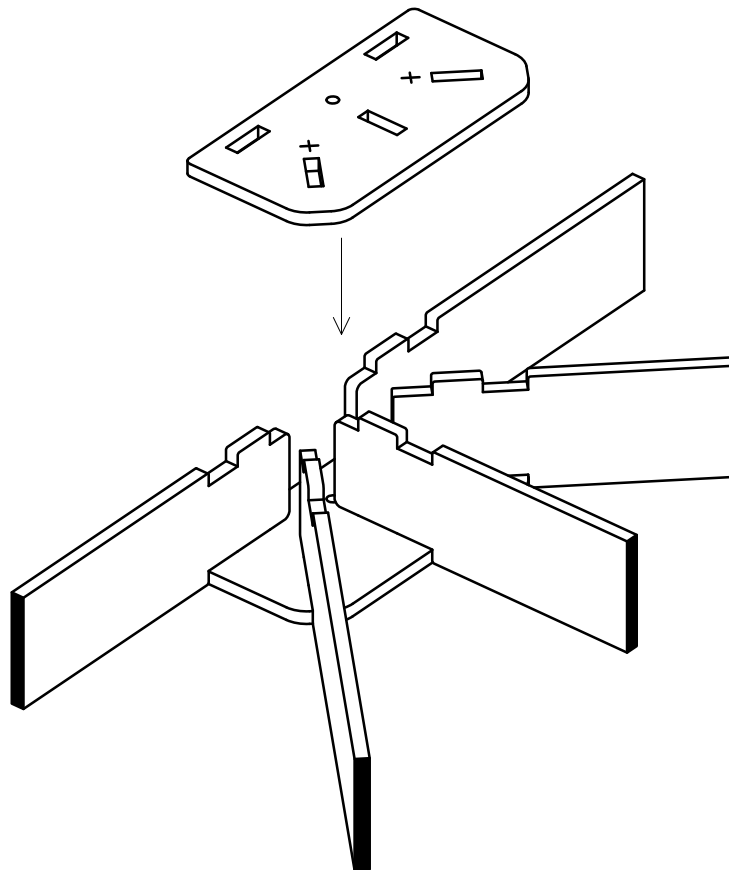
If you require clarification or need further information during assembly please visit www.xframe.com.au/support



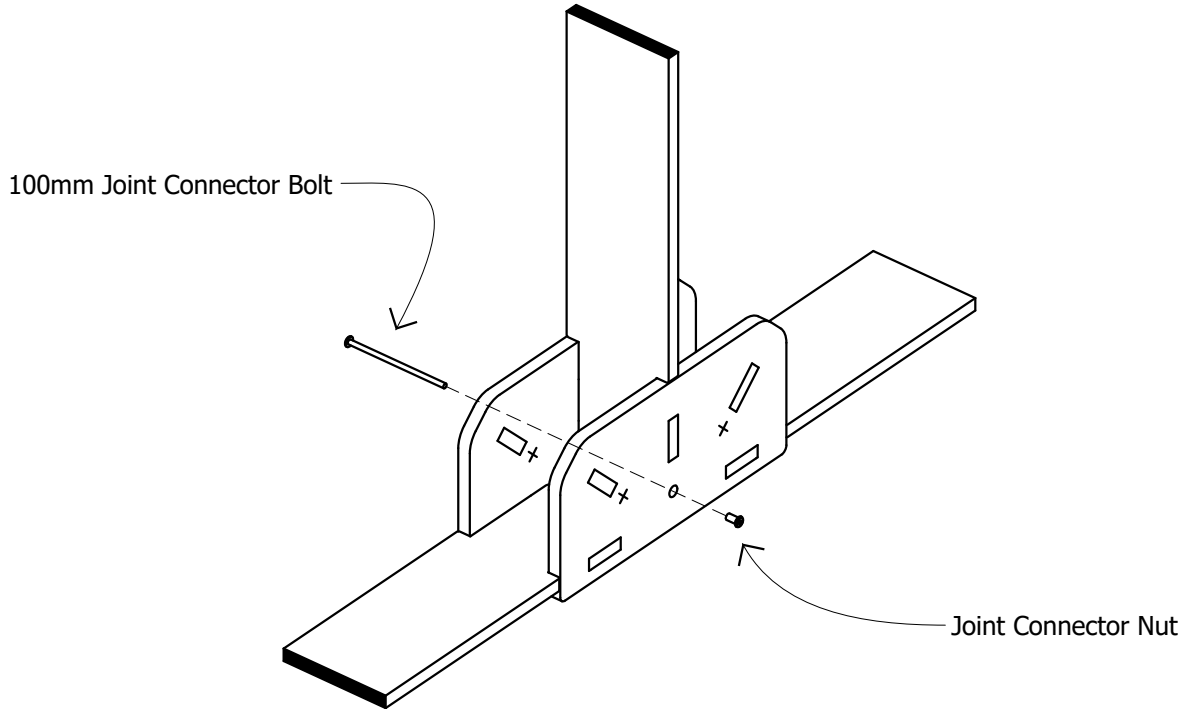
1. Align mortise and tenons - press together into bottom plates.



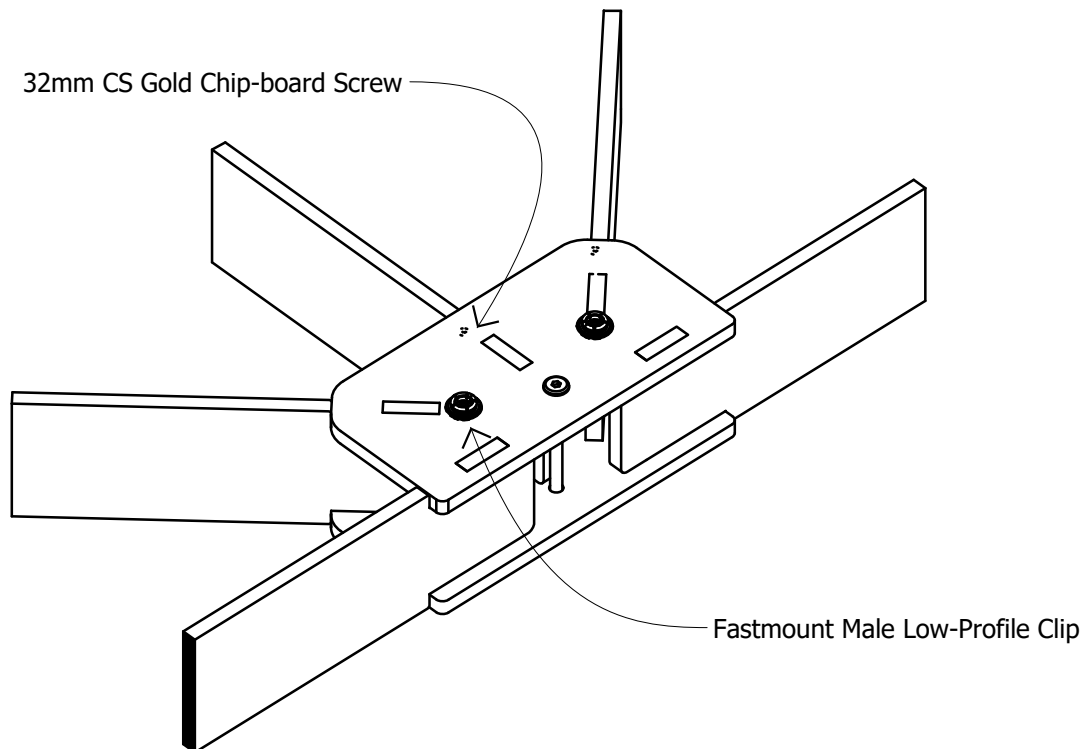
2. Press on top plates.



3. Insert 100mm JCB into large hole and tighten with JCN.



4. Screw on male Fastmount Low Profile Clips into '+' shapes on locking plates.

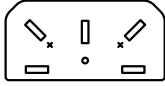




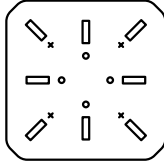
XLock 1/4
x24



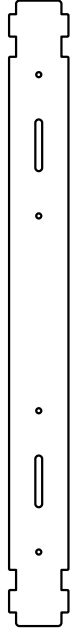
XLock 1/2
x12



XLock Full
x12



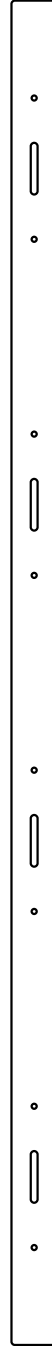
Stud (Full)
x21



Brace (Full)
x12



End Packer
x6



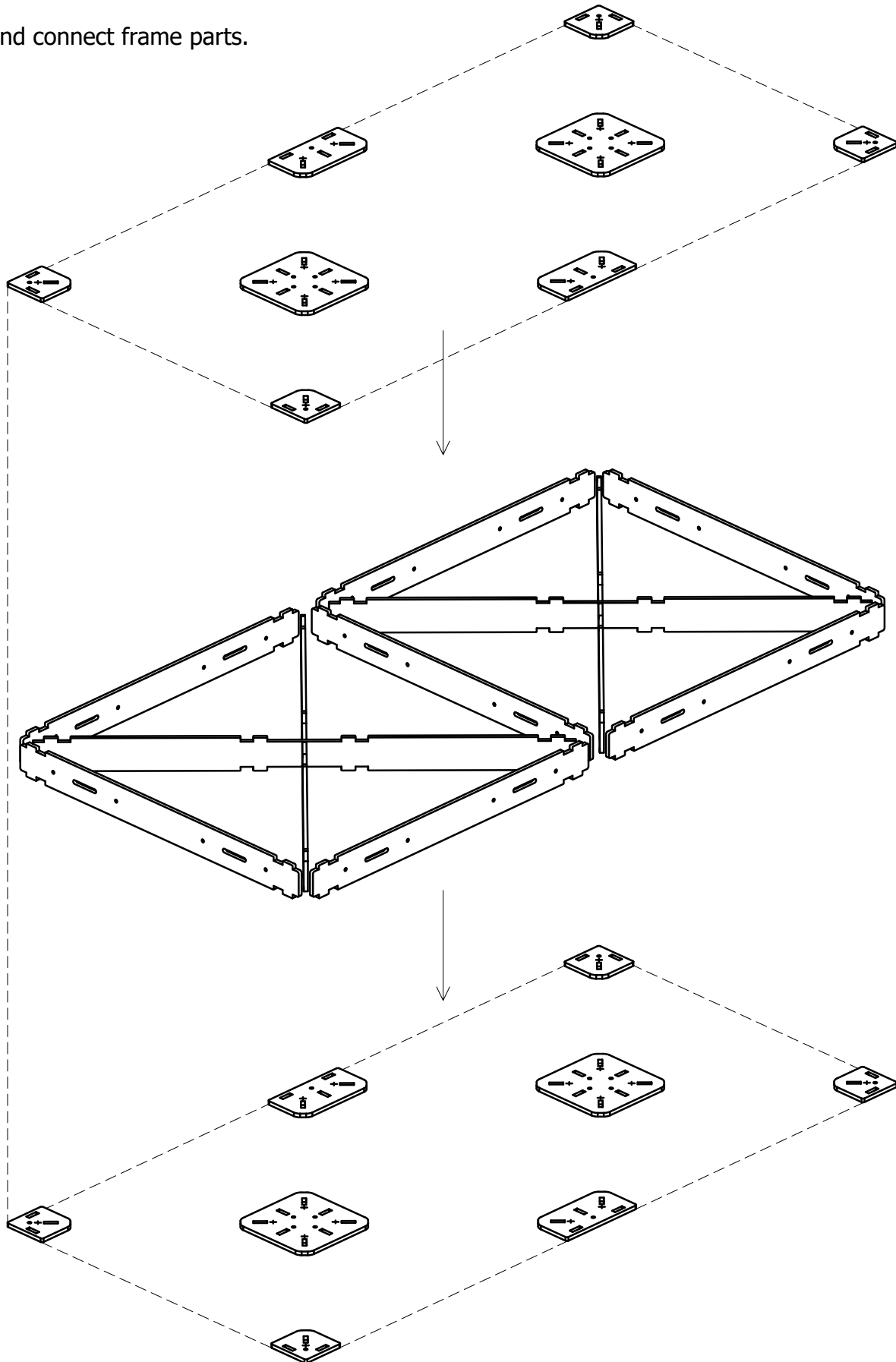
End Cap
x6





Step 1

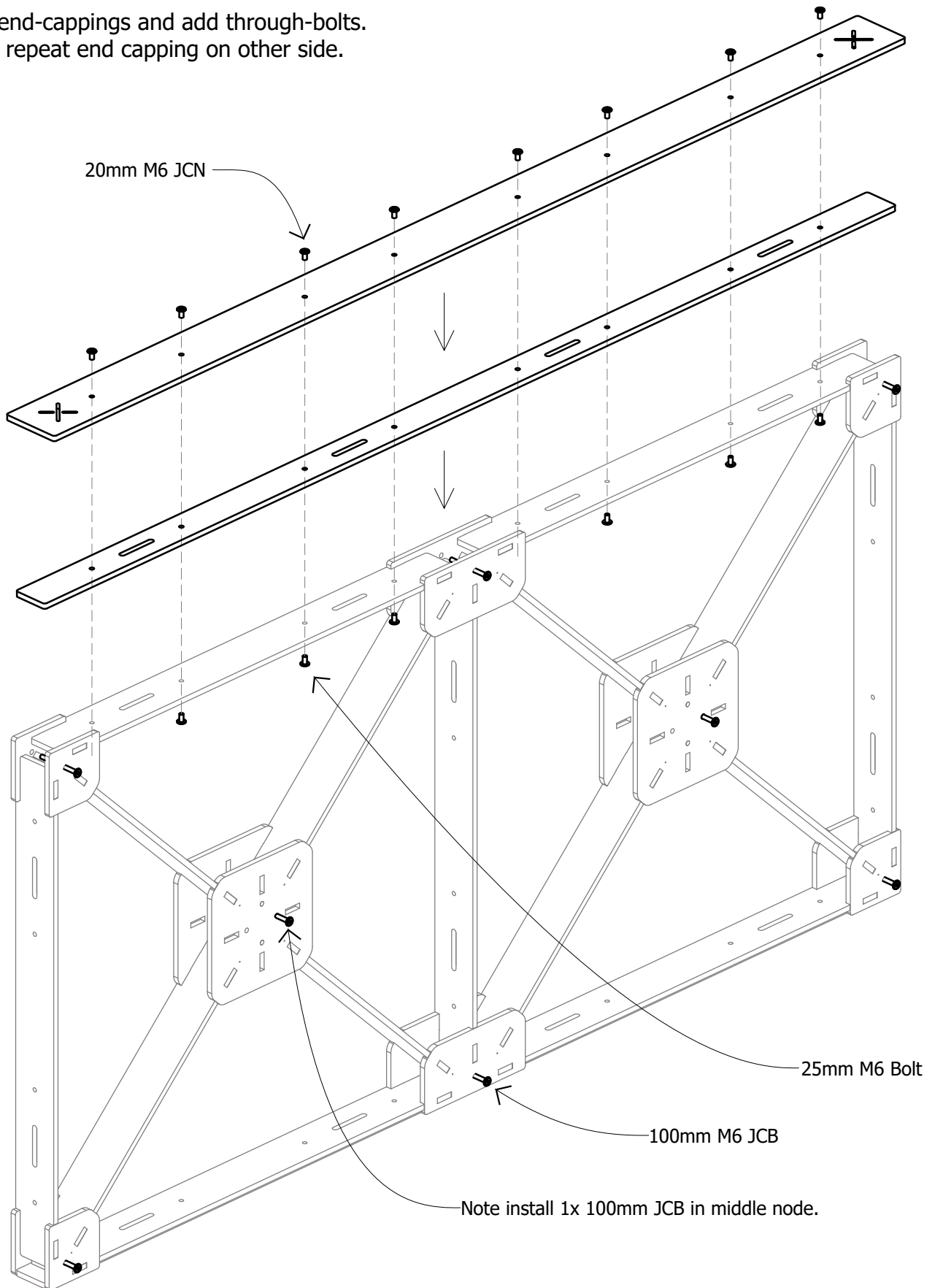
Arrange and connect frame parts.





Step 2

Bolt on end-cappings and add through-bolts.
Flip and repeat end capping on other side.

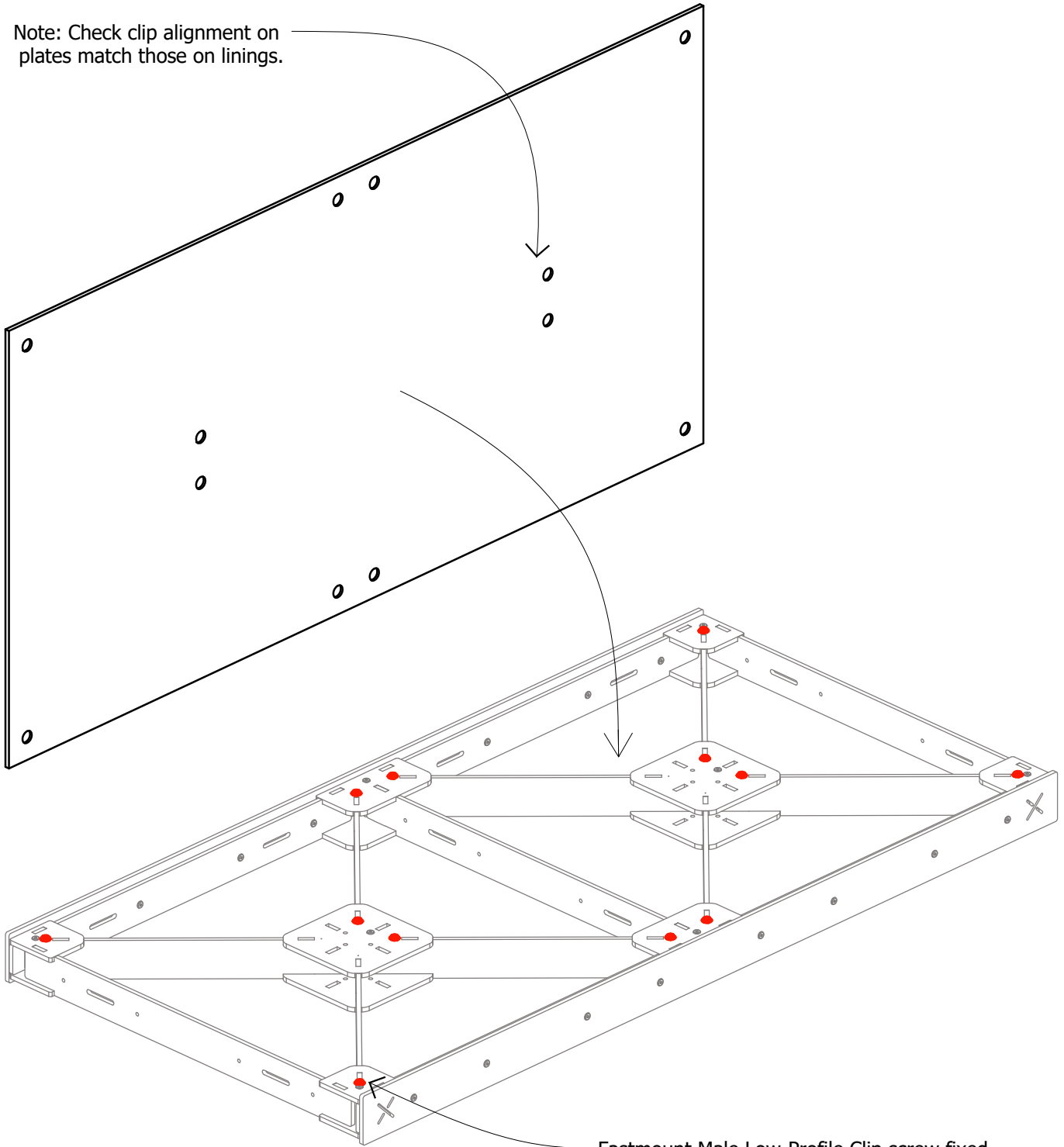




Step 3

Screw fix blind-lining clips to panel.
Press on lining.

Note: Check clip alignment on plates match those on linings.



Fastmount Male Low-Profile Clip screw fixed with 32mm CS Gold Chip-board Screws



XFRAME

Completed Panel
1.2m x 2.4m Studio Panel



Colour may vary.



XFRAME

Optional Feet

1.2m x 2.4m Studio Panel



Swap 25mm bolt with
40mm M6 Bolt

Colour may vary.

